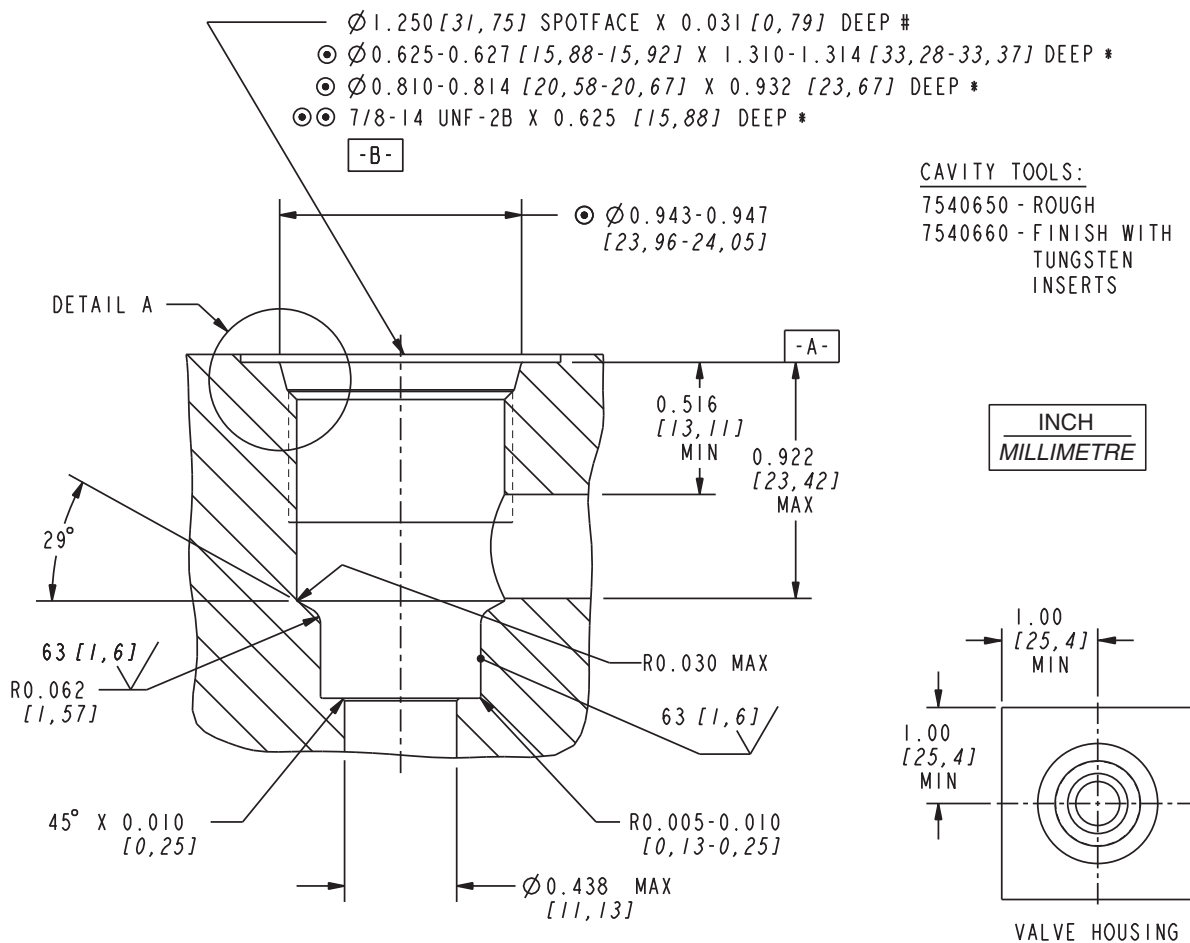
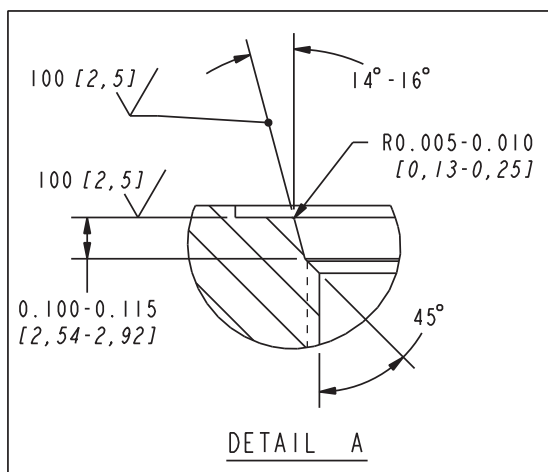


Series 10 Cartridge Cavities

HVC10-2



CAVITY TOOLS:
 7540650 - ROUGH
 7540660 - FINISH WITH
 TUNGSTEN
 INSERTS



NOTES:

- \odot -

	0.001 [0,025]	A
↗	0.002 [0,05]	B
- $\odot \odot$ -

	0.001 [0,025]	A
○	0.0009 [0,023]	(PITCH DIA)
- * - DEPTHS ARE FROM DATUM **-A-**.
- # - UNLESS OTHERWISE SPECIFIED ON MACHINING DRAWING.
- UNSPECIFIED TOLERANCES ARE ± 0.005 [0,13].
- UNSPECIFIED ANGULAR DIMENSIONS $\pm 3^\circ$.
- SURFACE FINISH SPECIFICATIONS ARE IN MICROINCHES [MICROMETERS].